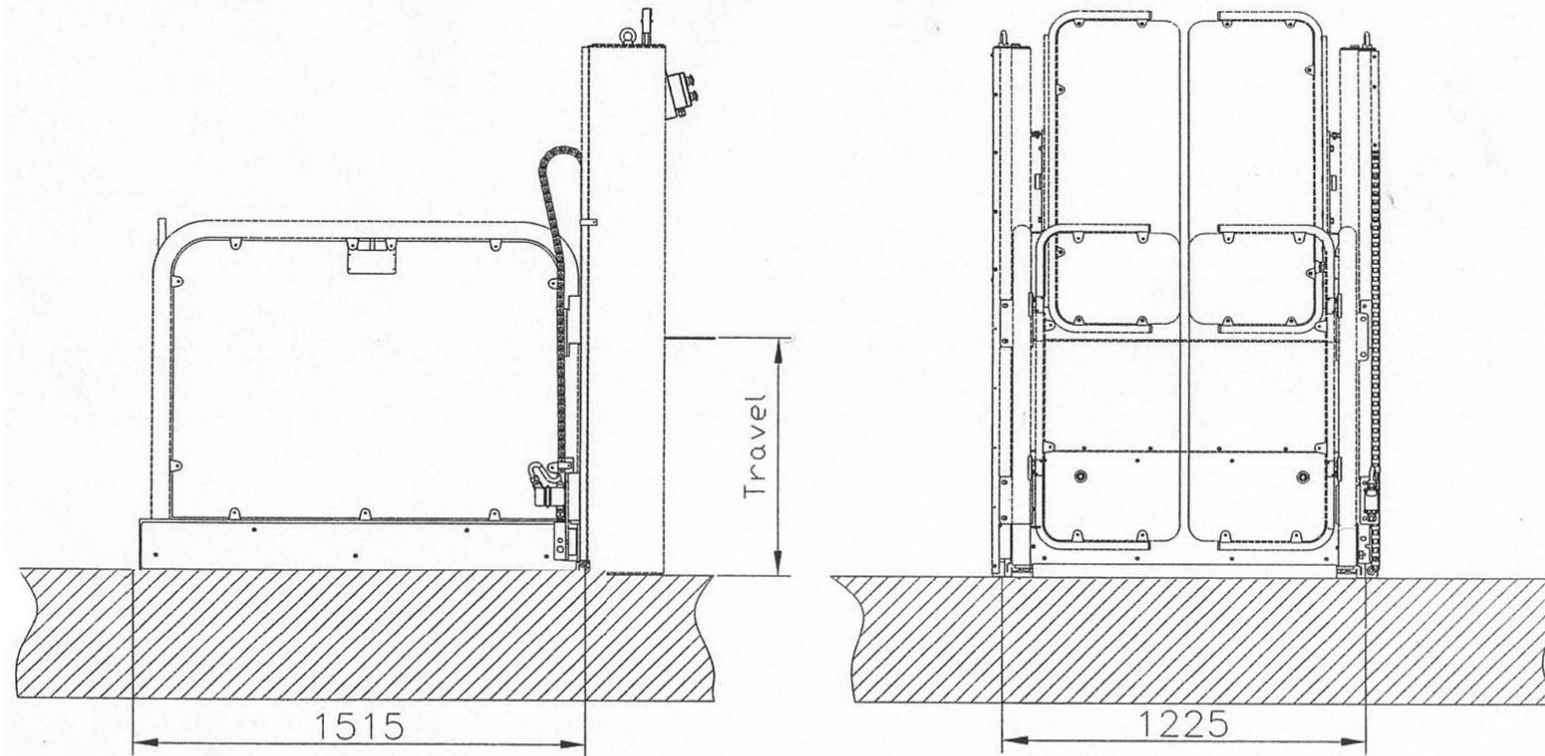
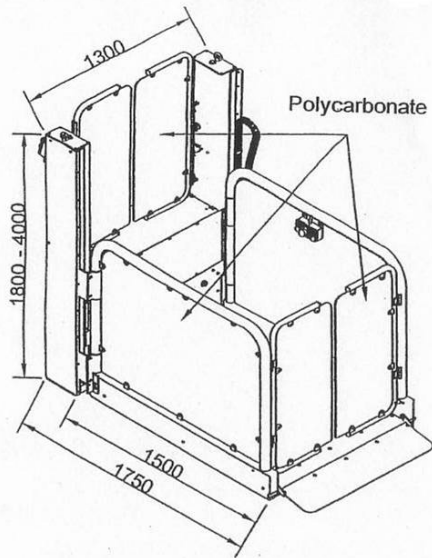


# Senkrechtlift Strategos Datenblatt



Pit dimensions	
Travel /mm	L x W
800	1515 x 1225
1000	1515 x 1225
1200	1515 x 1225
1500	1515 x 1225
1800	1515 x 1225
2100	1515 x 1225
2500	1515 x 1225
2800	1515 x 1225
3000	1515 x 1225

NB. Pit must be drained

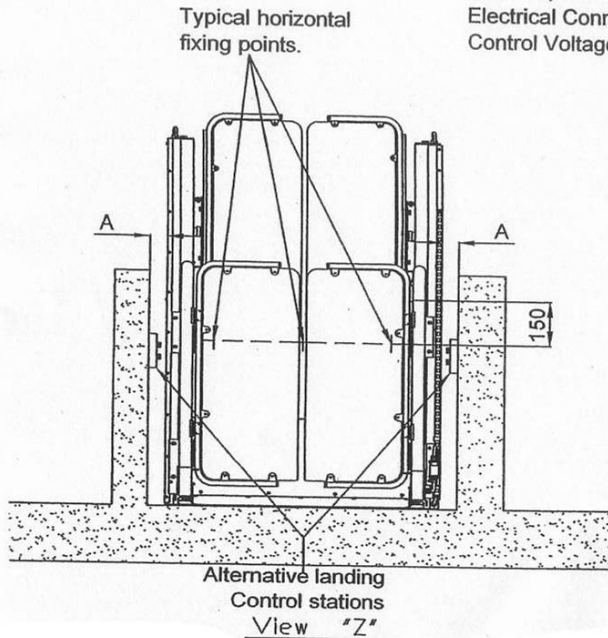
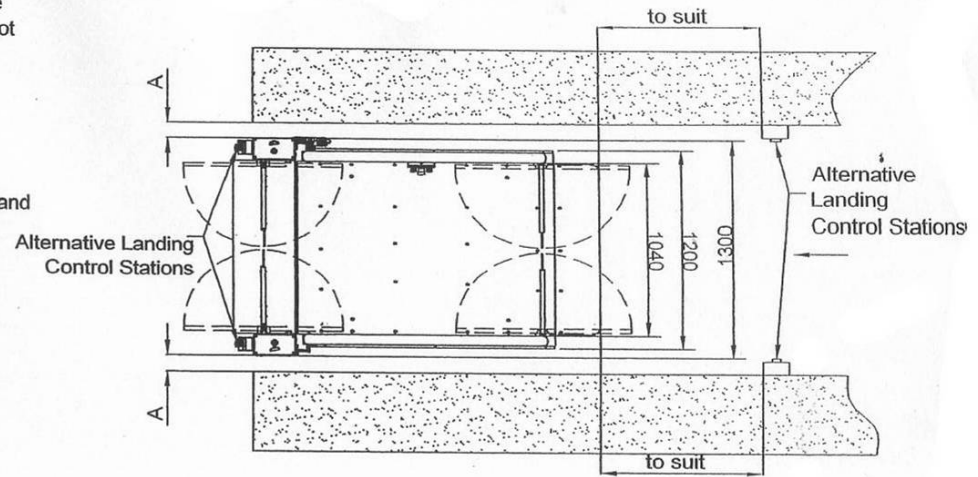


Clearance  
 "A" = Horizontal distance to adjacent surface  
 100mm if smooth (local protrusions do not exceed 10mm)  
 325mm if irregular

Anchors:  
 Horizontal & Vertical 2 minimum : see installation information for further details of substrate requirements and type

Platform Floor Finish :  
 Standard - Aluminium Chequer Plate  
 Special - Altro walking 20  
 Electrical Supply:  
 3ph L, N, & E, 20amp lockable isolator positioned within 2 Meters of upper landing control station.

Technical Data:  
 Rated capacity : 300kg / 2 Persons  
 Speed : 0,06m/s  
 Drive : 2,5 kw Electrical Motor  
 Electrical Connection : 5 x 1,5mm sq  
 Control Voltage : 24 Volts



HORIZONTAL FORCES	
Travel mm	Total Anchor Force Fa. kN
400	21.5
600	17.0
800	14.5
1000	11.0
1200	8.5
1400	7.5
1600	6.5
1800	5.5
2000	4.5
2200	4.0
2400	3.5
2600	3.25
2800	3.0

Fb = Vertical force of 10kn, spread over area of 1300mm x 250mm.

